



全達科技有限公司

Unlimited Source Co. Limited



專業代理、經銷、出租維修各類電子巡邏系統
為香港電子巡邏系統的先鋒
客戶遍佈全港屋苑，政府機構，醫院及大學等等

我們提供各類電子巡邏系統，歡迎查詢

Tel.: 852-2740 9825

Fax: 852-2302 4427

E-mail: info@patrolsystems.com

TPCapt® 巡邏系統

為中港科技結晶產品, 國際註冊商標。

警衛員只需於巡邏時用「TPCapt」輕觸電子巡鈕，巡邏完畢返回保安中心，經「全達智能巡邏軟件」處理後，便可即時列印詳細的中文巡邏報告，操作簡便。此等資料並可儲存於電腦內，以便日後翻查及作者勤記錄。



產品規格

TPCapt® - Model TC-301AA

巡邏棒外形: 高硬度鋁合金, 抗水、防塵

尺寸: 135 x 41 x 22 毫米

重量: 125 gm

記憶容量: 可讀取 8,000 點

讀取訊號: 以閃燈及響音形式確認

使用電池: 2 粒 2A 電池

工作溫差: -30°C 至 60°C

製造國家: 中國

電子巡鈕

Model 1990A-F5

巡鈕外形: 不銹鋼外殼、完全防水

尺寸: 16 x 5 毫米

重量: 1.6 克

記憶容量: 不帶極性(Non-volatile electronic)、
唯讀48bit 數碼記憶體

工作溫差: -40°C 至 85°C 工作電池: 不須

製造國家: 中國



資料輸送器

Model TC-USB

尺寸: 103 x 100 x 39 毫米

重量: 187 克

工作電源: 電腦

接頭來源: USB線

製造國家: 中國

TPCapt® 巡邏系統

為中港科技結晶產品, 國際註冊商標。

警衛員只需於巡邏時用「TPCapt」輕觸電子巡鈕，巡邏完畢返回保安中心，經「全達智能巡邏軟件」處理後，便可即時列印詳細的中文巡邏報告，操作簡便。此等資料並可儲存於電腦內，以便日後翻查及作者勤記錄。



產品規格

TPCapt® - Model TC-301V

巡邏棒外形: 高硬度鋁合金，抗水、防塵

尺寸: 135 x 41 x 22 毫米

重量: 125 克

記憶容量: 可讀取 8,000 點

讀取訊號: 以閃燈及振動形式確認

使用電池: 2 粒 2A 電池

工作溫差: -30°C 至 60°C

製造國家: 中國

電子巡鈕

Model 1990A-F5

巡鈕外形: 不銹鋼外殼、完全防水

尺寸: 16 x 5 毫米

重量: 1.6 克

記憶容量: 不帶極性(Non-volatile electronic)、
唯讀48bit 數碼記憶體

工作溫差: -40°C 至 85°C 工作電池: 不須

製造國家: 中國



資料輸送器

Model TC-USB

尺寸: 103 x 100 x 39 毫米

重量: 187 克

工作電源: 電腦

接頭來源: USB線

製造國家: 中國

TPCapt® 巡邏系統

為中港科技結晶產品, 國際註冊商標。

警衛員只需於巡邏時用「TPCapt」巡邏棒感應電子巡點，巡邏完畢返回保安中心，經「全達智能巡邏軟件」處理後，便可即時列印詳細的中文巡邏報告，操作簡便。此等資料並可儲存於電腦內，以便日後翻查及作者勤記錄。



產品規格

TPCapt® - Model TC-203V

巡邏棒外形: 合金鋁外殼, 完全防水

尺寸: 140 x 45 x 25 毫米

重量: 200 克

記憶容量: 可讀取 10,000 點

讀取訊號: 以閃燈及震動形式確認

充電及傳輸資料: USB線

使用電池: 內置充電式鋰電池

工作溫差: -40C° to 70C°

製造國家: 中國

附件: USB充電線

RFID感應巡點

Model TC-RFID

巡鈕外形: 高質塑料外殼、完全防水

尺寸: 40 x 4 毫米, 33 x 4 毫米

重量: 1.2 克

工作溫差: -40°C 至 85°C

工作電池: 不須

製造國家: 中國

TC-601 Key Features



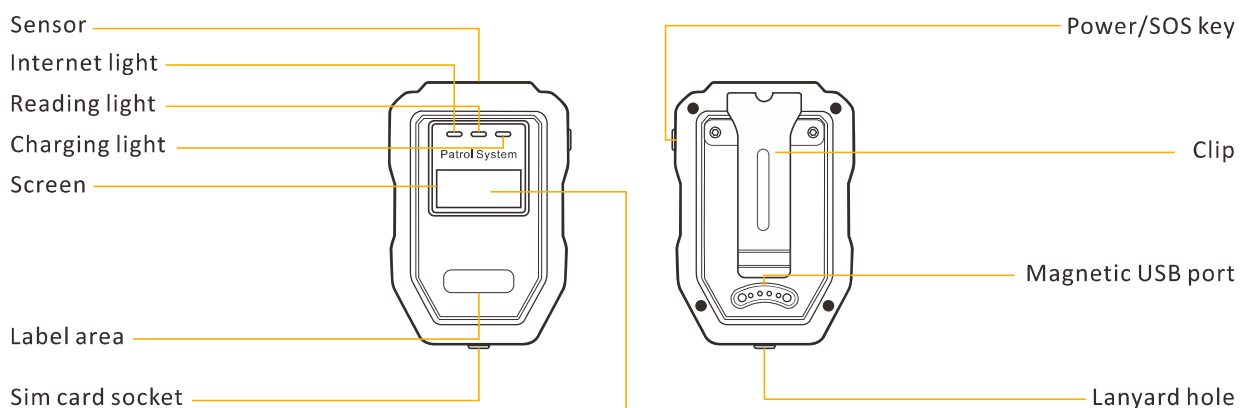
- 125KHz RFID proximity reading
- 4G real time transmission
- OLED displays running and operations
- SOS panic alarm
- Mass storage capacity
- Impact recording
- WiFi transmission can be tailored
- Auto sync date and time with server



This is a real time guard tour system that adopts 4G communication technology, which is able to send data from the patrol handheld reader to server immediately. The OLED display offers the info of connection status, network configuration, and other operations.

This series of patrol handheld reader can be widely used for employee control areas, like security, cleaning, factory, railways, airports, ports, maintenance, client who want to improve their management actively and etc.

Layout

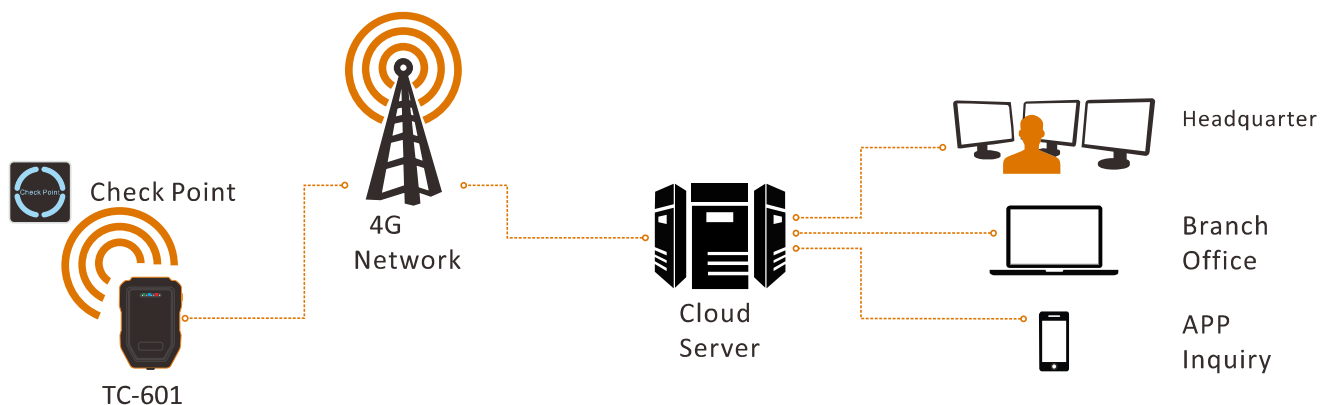


Home	Reading	Shift changed	Configure info
2019-04-19 10:54:44 Rec:00020/00000	00A0DFFF East warehouse James	Message User changed James	1922180625 1.0.3 www.xjrfid.com:4321 APN: "ATT", "ATT", "12"
Date and time Battery capacity Sim card status No sim card No signal Total record Unsent record	Card number Address name User	User name	Device ID Version Server IP APN

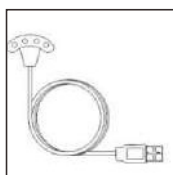
Specification

Network supported bands	4G	FDD-LTE:800/1800/2100/2600MHz(B1,B3,B7,B20) TDD-LTE:2600(B38)/1900/2400/2500MHz(B39,B40,B41)
	Display	Size: 0.9 inch OLED screen Pixels: 128*64px
Reader information	Reading technology	125KHz RFID (EM-ID tag)
	Material	ABS plastic shell, rubber handle
	Prompt	LED+Vibration+display
	Memory	80,000 logs
	Impact Record	32,000 logs
	SIM card	Nano card
	IP rating	IP67
Key	Booting/Shut down	Long press 3 seconds
	SOS alarm	Enter the config page long press 3 seconds
Wired communication	USB	Anti-vandal magnetic USB cable
Battery	Capacity	1200mAh rechargeable li-ion battery
	Working time	20 hours
	Working consumption	60mA
	Stand-by	10mA
	Charging time	1.2-2 hours(5V/1A)
Size	Dimension	82*52*22mm
	Weight	73g
	Humidity	30% to 95%
	Temperature	-20 to 70°C

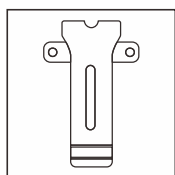
Working Map



Accessory



USB cable



Clip



Manual



iBR9000



The Smallest iButton Reader with Web-based Software

The iBR9000 iButton reader (iBR-9000) may be the smallest iButton reader Videx manufactures, but it doesn't fall short on durability or features. The iBR9000 is a compact, pocket-sized iButton reader, ideal for use in any checkpoint application where you need to prove who was there, and when they were there.

The fiberglass-reinforced nylon case and stainless-steel read head make the iBR9000 extremely durable. The case protects the electronics against damage and secures the collected data. The iBR9000 can be used for a wide variety of applications such as security and maintenance checks, transportation, production, and inventory.



Memory

The iBR9000 stores over 9200 iButton ID reads with a date and time stamp provided by its real-time internal clock.

Battery

The CR2 3-volt lithium battery provides up to one year of uninterrupted performance. Data is stored in non-volatile RAM, so there is no risk of losing data when changing the battery.

Touch Memory iButtons

The iBR9000 collects data from iButtons which can be mounted on almost any object including containers, pallets, bags, walls, and equipment. iButtons are stainless-steel tags that are highly resistant to environmental hazards such as dirt, moisture, and shock. The compact, coin-shaped iButton is self-aligning with the iBR9000, allowing for quick, easy reads. With one touch, the iBR9000 reads the iButton ID.

Downloading

Transferring this stored data is easy: iBR9000 makes an infrared connection directly to the IR Encoder, a USB-to-infrared dongle providing a wireless interface between the iBR9000 and any desktop, laptop, or notebook computer.



iBR9000 (iBR-9000)

Physical	High-impact fiberglass-reinforced nylon case; stainless-steel read head
Weight	1.75 ounces (50 g)
Dimensions	2.7" x 1.67" x 0.85" (68.6 x 42.4 x 21.6 mm)
Memory	64KB non-volatile; data is retained when battery is removed
Storage Capacity	9200 iButton ID reads
Battery	3-volt lithium CR2
Battery Life	Up to 75,000 continuous reads or 1 year idle
Clock	Real-time with capacity to operate up to 1 minute after battery disconnected
Communications	Infrared (IrDA); via a Videx IR Encoder
Transfer Rate	Full memory will transfer in approximately 26 seconds
Data Output	Optional delimited ASCII or TouchProbe format text file
Visual	Flash for good read
Audio	Chirps while communicating and double beeps when successful
iButton	Reads ID of DS1990A Maxim iButtons
Storage Temperature	-4° to 140° F (-20° to 60° C)
Operating Temperature	-4° to 140° F (-20° to 60° C)
Humidity	95% noncondensing

IR Encoder (CKB-IR10)

Dimensions	2.28" x 0.80" x 0.43" (57.9mm x 20.3mm x 10.9mm)
Weight	0.26 ounces (7.5g)
Connection	USB
Operating Systems	Windows XP or later
Power	From USB

iButton Specifications

Physical	Memory chip stored inside button-shaped, water-resistant, stainless-steel case
Dimensions	3 mm button: 0.64" D x 0.12" H (16.3 x 3.2 mm), 5 mm button: 0.64" D x 0.23" H (16.3 x 5.9 mm)
Weight	3 mm button: 0.057 ounces (1.6 g), 5 mm button: 0.120 ounces (3.3 g)
Operating Temperature	-40° to 185° F (-40° to 85° C)
Battery	None
Data Storage	Unique 48-bit serial number (read only)



iBR9000

iBR-9000

The iBR9000 is a compact, pocket-sized iButton reader, ideal for use in any checkpoint application where you need to prove who was there, and when they were there. The iBR9000 can be used for a wide variety of applications such as security and maintenance checks, transportation, production, and inventory.



iBR9000 in use at an iButton checkpoint



Memory

The iBR9000 stores over 9200 iButton ID reads with a date and time stamp provided by its real-time internal clock.



Battery

The CR2 3-volt lithium battery provides up to one year of uninterrupted performance. Data is stored in non-volatile RAM, so there is no risk of losing data when changing the battery.



Touch Memory iButtons

The iBR9000 collects data from iButtons which can be mounted on almost any object including containers, pallets, bags, walls, and equipment. iButtons are stainless-steel tags that are highly resistant to environmental hazards such as dirt, moisture, and shock.



- Designed with fiberglass-reinforced nylon case and a stainless-steel read head for extreme durability.
- Easily transfer stored data using a USB-to-infrared dongle which provides a wireless interface between the iBR9000 and any computer.

Specifications



iBR9000

The iBR9000 is a compact, pocket-sized iButton reader; ideal for use in any checkpoint application where you need to prove who was there, and when they were there.

iBR9000 (iBR-9000)

Physical	High-impact fiberglass-reinforced nylon case; stainless-steel read head
Weight	1.75 ounces (50 g)
Dimensions	2.7" x 1.67" x 0.85" (68.6 mm x 42.4 mm x 21.6 mm)
Memory	64KB non-volatile; data is retained when battery is removed
Storage Capacity	9,200 iButton ID reads
Battery	3-volt lithium CR2
Battery Life	Up to 75,000 continuous reads or 1 year idle
Clock	Real-time with capacity to operate up to 1 minute after battery disconnected
Communications	Infrared (IrDA); via a Videx IR Encoder 10
Transfer Rate	Full memory will transfer in approximately 26 seconds
Data Output	Data Output Optional delimited ASCII or TouchProbe format text file
Visual Indicator	Visual Flash for good read
Audio Indicator	Chirps while communicating and double beeps when successful
iButton	Reads ID of DS1990A Maxim iButtons
Storage Temperature	-4° to 140° F (-20° to 60° C)
Operating Temperature	-4° to 140° F (-20° to 60° C)
Humidity	95% non-condensing

IR Encoder (CKB-IR10)

Dimensions	2.28" x 0.80" x 0.43" (57.9 mm x 20.3 mm x 10.9 mm)
Weight	0.28 ounces (8 g)
Connection	USB
Operating Systems	Windows XP or later
Power	From USB



CKB-IR10

iButton Specifications

Physical	Memory chip stored inside button-shaped, water-resistant, stainless-steel case
Dimensions	3 mm button: 0.64" D x 0.12" H (16.3 mm x 3.2 mm), 5 mm button: 0.64" D x 0.23" H (16.3 mm x 5.9 mm)
Weight	3 mm button: 0.057 ounces (1.6 g), 5 mm button: 0.120 ounces (3.3 g)
Operating Temperature	-40° to 185° F (-40° to 85° C)
Battery	None
Data Storage	Unique 48-bit serial number (read only)

TouchProbe 巡邏系統

為世界上輸出中文巡邏報告之巡邏系統的先鋒

警衛員只需於巡邏時用「TouchProbe」輕觸電子巡鈕，巡邏完畢返回保安中心經全達智能巡邏軟件處理後，便可即時列印詳細的中文巡邏報告，操作簡便此等資料並可儲存於電腦內，以便日後翻查及作考勤記錄



產品規格

TouchProbe - Model TP-128EX

巡邏棒外形: 高硬度鋁合金，抗水、防塵

尺寸: 132 x 42 x 23 毫米

重量: 146 gm

記憶容量: 128K RAM

(可讀取 5,200 點)

讀取訊號: 以閃燈及聲嚮形式確認

使用電池: 鹼性 9V 電池

工作溫差: -20°C 至 54°C

製造國家: 美國

資料輸送器

Model TC-USB

工作電源: 電腦

接頭來源: USB

製造國家: 中國

電子巡鈕

Model 1990A-F5

巡鈕外形: 不銹鋼外殼、完全防水

尺寸: 16 x 5 毫米 重量: 1.6 克

記憶容量: 不帶極性(Non-volatile electronic)、唯讀48bit 數碼記憶體

工作溫差: -40°C 至 85°C 工作電池: 不須

附件: 強力固定混合膠或加配底座

製造國家: 中國



全達電子巡邏系統客戶列表

- 房屋署
- 康樂及文化事務署
- 地政總署
- 食物環境衛生署
- 醫院管理局
- 香港房屋協會
- 東華三院(物業管理組)
- 領展資產管理有限公司
- 信和物業管理有限公司
- ISS置邦物業服務有限公司
- 港鐵物業管理有限公司
- 恒益物業管理有限公司
- 偉邦物業管理有限公司
- 康業服務有限公司
- 高衛物業管理有限公司
- 佳定物業管理有限公司
- 富城物業管理有限公司
- 第一太平戴維斯物業管理有限公司
- 創毅物業服務顧問有限公司
- 卓安物業顧問有限公司
- 宜居顧問服務有限公司
- 佳富物業服務有限公司
- 和記黃埔地產有限公司
- 希慎物業管理有限公司
- 南豐發展有限公司
- 夏利文物業管理有限公司
- 昇捷控股有限公司
- 雅居物業管理有限公司
- 嘉怡物業管理有限公司
- 中國海外物業服務有限公司
- 啟勝物業服務有限公司
- 越秀亞通停車場有限公司
- 富城停車場有限公司
- 香港嶺南大學
- 亞洲國際博覽館

香港新界荃灣沙咀道 11 號達賢中心 517 室

Rm.517, International Trade Centre, 11 Sha Tsui Road, Tsuen Wan, N.T. HK
Tel.:(852) 2740 9825 Fax:(852) 2302 4427 Email: admin@patrolsystems.com